

Laser SRB

Vitreous China Semi Recessed Vanity Basin

Basin Size: 570mm x 476mm (nominal).

Bowl capacity: 7 litres to overflow.

A contemporary designed semi recessed vanity basin with ample usable space and a generous bowl with left hand soap holder. The **Laser** basin is particularly suitable for narrow counter tops with minimum width of 300mm giving a bowl projection of 225mm from front of counter. The basin is suitable for domestic, commercial and ♿ accessible applications.

Tap Holes: The basin is available in one taphole and three taphole options.

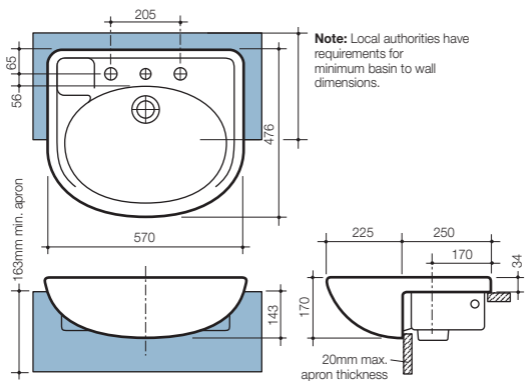
Overflow: Overflow available only. Maximum tap flow rate of 15 litres/minute.

Fixing: Two bracket options which allow for varying counter thicknesses — **D.250 Bracket with Tie Hooks** (supplied) – Recommended for domestic and general commercial use. Two D.250 brackets are fixed to the underside of the counter top to secure the tie hooks which anchor the back of the basin to the counter. Basin must be sealed to the top and front of counter with an acetic cured sealant. **Epoxy type glues must not be used.**

Basin supplied with a template which must be used for the counter cut-out. **Important:** For granite or marble tops, fix two 20mm thick wooden blocks in the bracket position on the underside of the granite/marble with fast setting two part epoxy. When fully set screw the brackets into position on the wooden blocks. Other suitable fastening systems may be used.

Installation: Refer to *Important Information for Plumbers* section.

Colours: White only.



Supplied with chrome flush fitting waste and white plug.